



HAILO AS Duo 8/8 dark grey/black

3416071

GTIN: 4007126370549

For hinged door cabinets from 450 mm width



SWING



2 BUCKET

16 L

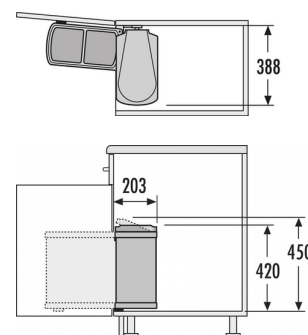
TOTAL

Suitable for cabinet width (cm)
45, 50, 60

- May be installed on left or on right sidewall

Specifications

Type of installation	Swing	✓
Cabinet-width min. (cm)	45	
Cabinet-width max. (cm)	60	
Suitable for cabinet width (cm)	45, 50, 60	
available Cabinet-depth min. (mm)	199	
Sidewall mounted		✓
Product dimensions (WxDxH) (mm)	388 x 203 x 420	
Packing dimensions (WxDxH) (mm)	395 x 206 x 405	
Number of bins	2	
Lid	Lid with turn & tilt mechanism	
Capacity (l)	2 x 8	
Total volume (l)	16	
Color metal parts	dark grey	
Color plastic parts	schwarz	





Weight incl. packing (kg)

4,2
